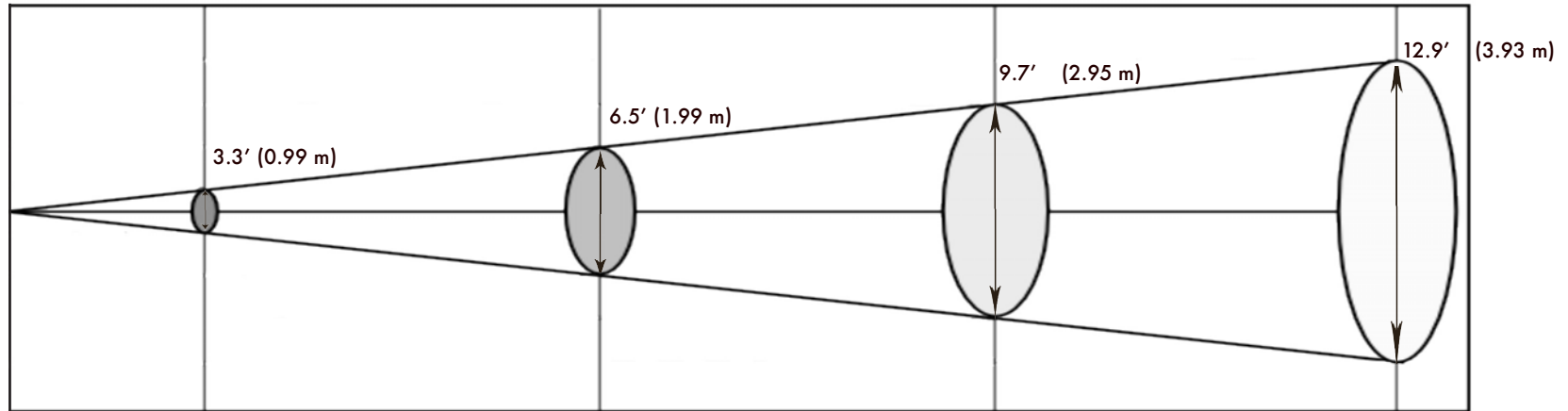




## SUMMARY

<b>Power Consumption</b>	100W
<b>Beam / Field Angle</b>	19° / 43°
<b>Peak Lumens</b>	3256
<b>Peak CRI</b>	92
<b>Hours of LED Lifespan</b>	60,000



	10' (3.05 m)		20' (6.10 m)		30' (9.14 m)		40' (12.19 m)	
<b>ILLUMINANCE*</b>	lux	fc	lux	fc	lux	fc	lux	fc
<b>2800K</b>	1237	115	321	30	149	14	87	8
<b>3200K</b>	1656	154	421	39	198	18	116	11
<b>3500K</b>	2158	201	550	51	259	24	150	14
<b>4000K</b>	2340	217	599	56	285	26	164	15
<b>5000K</b>	2520	234	622	58	300	28	169	16
<b>6000K</b>	2186	203	530	49	260	24	146	14

## LSD DIFFUSER COMPARISON

	<b>No diffuser</b>	<b>Narrow</b>	<b>Medium</b>	<b>Wide</b>
<b>Beam / Field Angle</b>	19° / 43°	23° / 47°	28° / 55°	37° / 65°

\* Illuminance data measured with a Konica Minolta CL-200A Chroma Meter

