

General

Designed to be an entry level color changer
 Fits the most common wash and ellipssoidal fixtures
 16 individual gel frames on 4" (Source Four)
 & 7.0" models
 Features Wbron's Autoload system for easy
 gelstring loading
 Wide selection of fixture mounting plates
 Integrated stainless steel safety cable
 .063" aluminum sheet metal construction
 Accepts power and data on one cable
 4 pin XLR connector for power and data
 4 pin XLR connector output for daisy chaining units
 Made in the USA

Power/Data

Receives 24v DC and DMX from Wybron
 PS Series Power Supply

XLR Connector Pin Out

XLR Pin #	Function	Conductor Size
1	Ground	14 AWG
2	Data +	22 AWG
3	Data -	22 AWG
4	24 Volts DC	14 AWG

**Not Compatible with Ram II Power Supplies*

Control

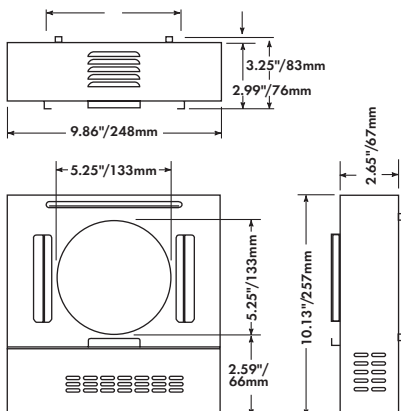
Uses DMX512-A Protocol



Advancing The Art Of Lighting

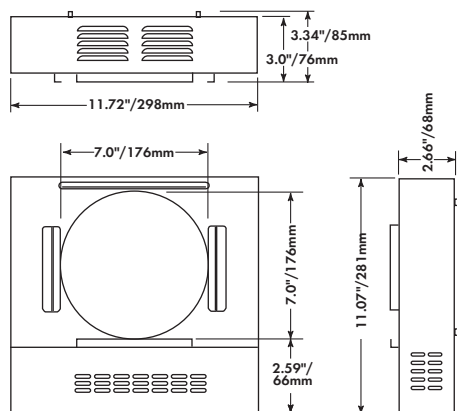
Dimensions & Weights

4-inch Model 4540



Weight: 3.0 lbs./1.361kg without mounting plate
Front Door: 6.25" accessory holder

7-inch Model 7140



Weight: 3.38 lbs./1.53kg without mounting plate
Front Door: 10.0" accessory holder

Ordering Information

FORERUNNER Color Changers	
Model	Description
4540	4-inch color changer
7140	7-inch color changer
PS-SERIES Power Supply	
820150	150W power Supply
820300	300W power Supply
820600	600W power Supply
FORERUNNER Accessories	
7042-XX	Power/Data Cable (XX=Length)*
FORERUNNER Gelstrings**	
4549-XX	4-inch gelstring (XX=number of frames up to 16)
7149-XX	7.0-inch gelstring (XX=number of frames up to 16)
FORERUNNER Mounting Plate INCLUDED. To specify size, see website.	

* Available in 3', 5', 10', 15', 25', 50', 75', & 100' lengths
** See COLOREXPRESS Gelstrings for available colors



Advancing The Art Of Lighting