

General

- A component of the Wybron Infotrace Series of Products
- Integral Color Module provides a nearly infinite color palette plus mechanical dimming via 4-channel DMX control
- Gate Assembly: Four 20 gauge stainless steel shutters operating in three independent planes, with "M" size Gobo and Iris slot
- 150 watt compact, CDM light source
- Integral electronic ballast
- Precise, tool-free lamp optimization
- Standard 6.25-inch accessory holders
- Integral safety cable mount on fixture
- Color LCD display for user settings
- Front mounting plate for additional accessories
- Integrated stainless steel safety cable
- Precision milled aluminum construction
- Compact, elegant design allows hanging on 12" centers
- Accepts power and data on one cable
- 4 pin XLR connector for power and data
- 4 pin XLR connector output for daisy chaining units
- Extremely quiet, convection cooled, no fans
- High impact, thermally insulating handles
- Yoke: Flat steel with two mounting positions
- UL Approved
- Made in the USA

Power/Data

Ballast voltage 120/277 VAC
 Receives 24v DC and DXM/RDM from Wybron PS Series Power supply

XLR Connector Pin Out

XLR Pin #	Function	Conductor Size
1	Ground	14 AWG
2	Data +	22 AWG
3	Data -	22 AWG
4	24 Volts DC	14 AWG

**Not Compatible with Ram II Power Supplies*

Cable: 36" Teflon coated leads encased in heat resistant black fiberglass sleeve

Control

Uses DMX512-A Protocol
 Infotrace features available using ANSI E1.20 - 2006 Remote Device Management over USITT DMX512 standard
 Color position /main address, user selectable 1-512
 Control input and daisy chain via 4 pin XLR

Parameters and features selectable with Infotrace/RDM:

Base Address
 Firmware Upgrade

Optical

Computer optimized optics
 Reflector: Dichroic coated borosilicate cold mirror
 Lenses: High temperature borosilicate

Accessories

Includes malleable iron pipe clamp
 Optionally available with installed Stage pin, Twist lock & Edison connectors
 Black gobo holder



Specifications-25°-40° Profile-Tungsten Source

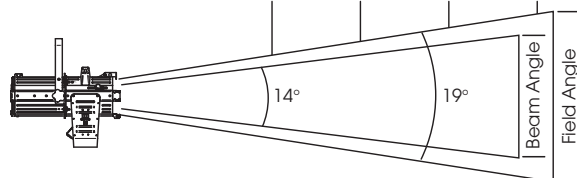
NEXERA™
Luminaire Series **LX**

Photometrics-Tungsten 575W GLC @115V

Narrow Focus

Degree	Candlepower	Field Lumens	Efficacy	Efficiency
19°	154,375 (Cd)	7030	12.2 LPW	45.3%

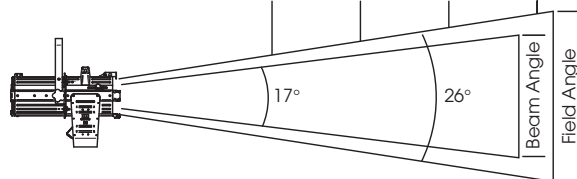
Distance (ft)	25	50	75	100
Field Diameter (ft)	8.3	16.7	25.0	33.3
Illumination (fc)	247	62	27	15



Wide Focus

Degree	Candlepower	Field Lumens	Efficacy	Efficiency
26°	105,625 (Cd)	7215	12.5 LPW	46.5%

Distance (ft)	25	50	75	100
Field Diameter (ft)	11.1	22.2	33.3	44.3
Illumination (fc)	169	42	19	11



Specifications as of 2/1/06 and may be subject to change

Lamp Data

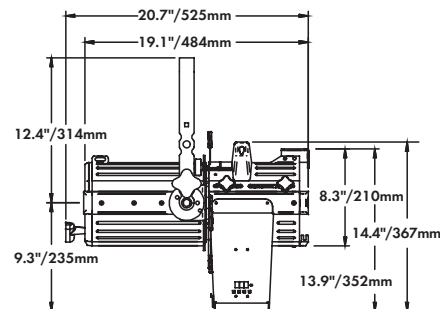
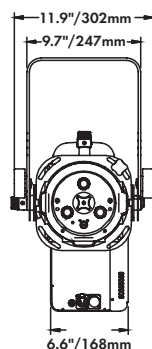
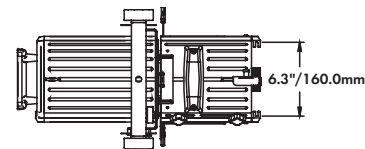
ANSI Code	Watts	Rated VAC	Color Temp	Rated Hours	Rated Lumens
GLC	575	115	3200	400	15500
GLA	575	115	3100	1500	13500
GKV	600	230	3200	400	15000
GLB	600	230	3100	1500	13000

Socket: G9.5 style, rated to 350° C

Tool-free precision lamp alignment

Dimensions & Weights

25°-40° Profile (Tungsten) Model 2570LX



Weight: Weight: 24.9 lbs. (11.3 kg)

Accessory holder: 6.25"

Ordering Information

NEXERA Luminaire	
Model	Description
2570LX	NEXERA Profile
NEXERA Accessories	
703-03-09BK	Safety Cable
258-01-01P	Black Gobo Holder
287391	Lamp, GLC 115V
294322	Lamp, GLA 115V
363721	Lamp, GKV 230V
363739	Lamp, GLB 230V
7042-XX	Power/Data Cable (XX=Length)*
NEXERA Power Supply (PS-Series)	
20600	Power Supply for 24 NEXERA Luminaires
20300	Power Supply for 12 NEXERA Luminaires
20150	Power Supply for 6 NEXERA Luminaires
NEXERA AC Power Connectors	
PP2PGMC	Stage Pin Connector
LEV2311BK	Twist Lock Connector
HBL5266C	Edison Connector

*Available in 3', 5', 10', 15', 25', 50', 75', & 100' lengths

WYBRON

Advancing The Art Of Lighting