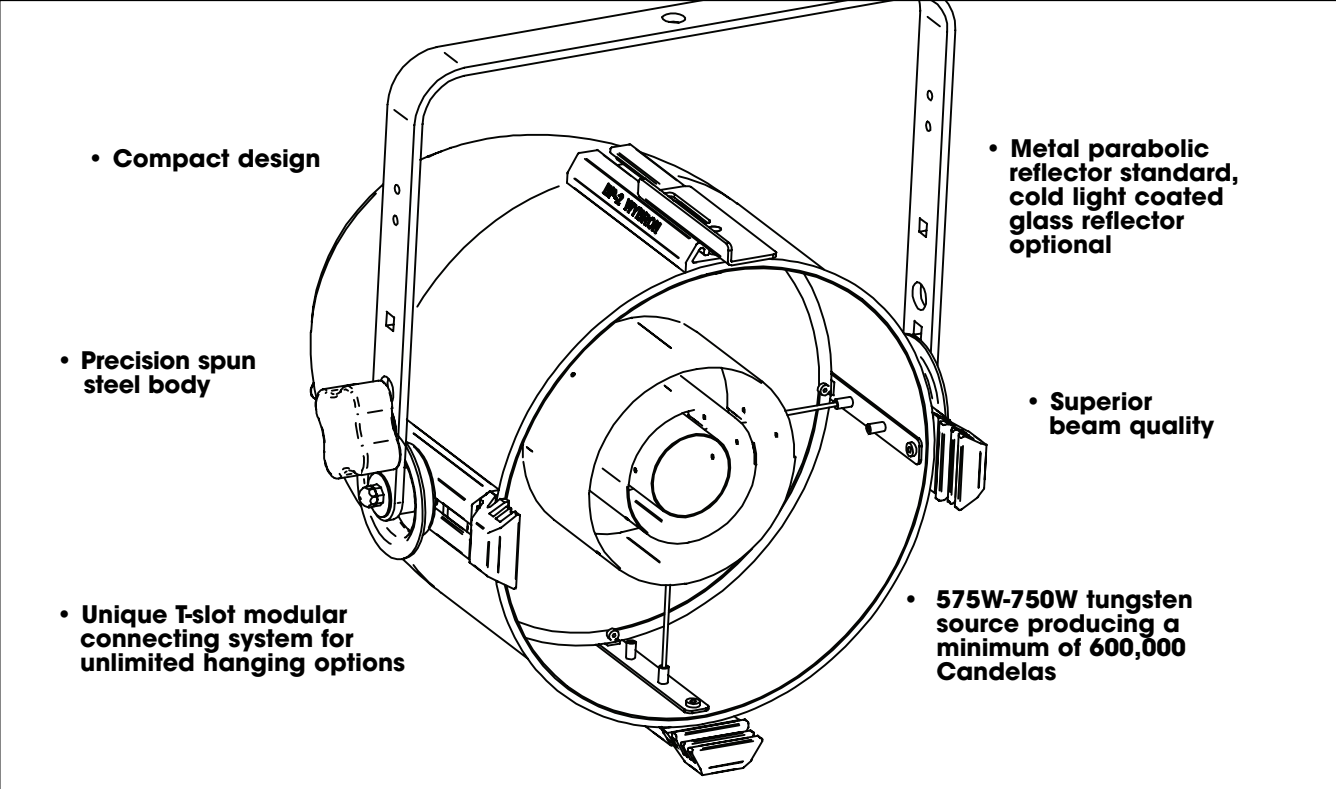


Beam Luminaire Features

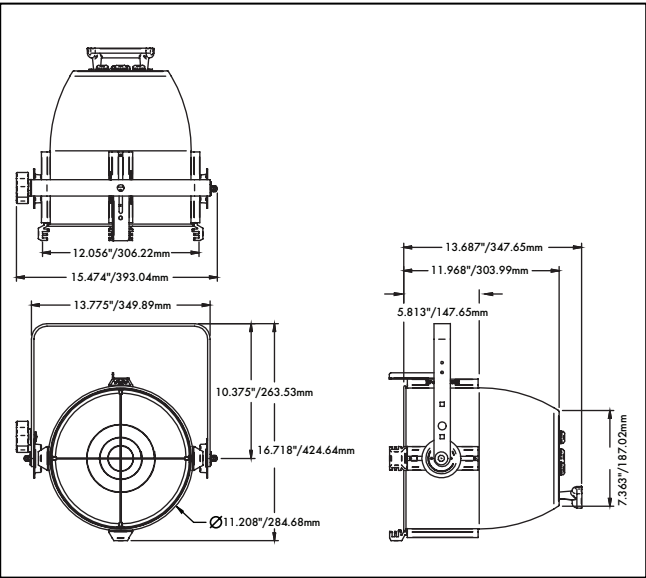


This compact, next generation beam projector uses the latest developments in optical and mechanical design, to give today's lighting designers another tool in their ever expanding arsenal of lighting effects. The BP-2 Beam Luminaire produces an extremely intense soft edge narrow 10° beam of light several times more intense than an ordinary spotlight of similar wattage.

Built of rugged spun steel, with either a metal or cold light coated glass, modified-parabolic reflector, it may be lamped with up to a 800W 230V tungsten source. Its unique T-slot modular connection system allows the designer to combine an unlimited number of BP-2s in any desired array to satisfy any lighting situation.

The BP-2 makes a statement by breaking through the atmosphere on a stage or used architecturally as a long-throw wash to light specific areas brilliantly. And the BP-2 is economical, easy-to-use and manufactured with Wybron's legendary reliability .

BP-2 Dimensions



Physical

Housing: Precision spun, cold rolled 1mm steel housing

Yoke: Flat steel with two mounting positions

5/8" T-slot mounting rails every 90°

Accessories: Accepts up to two standard 12" accessories;
Standard spring-loaded safety latch

High impact, thermally insulating handle

Safety Cable: 3.5 ft./1.06m long cable included

Finish: High temperature black powder coat, other colors available, consult factory

Weight: 11.3 lbs. (5.13 kg) (Metal Reflector Model)

Optical

Reflector: Metal or dichroic coated cold light mirror

Concentric ring system to control light spill

Tempered safety glass lamp containment

Lamp

Socket: G9.5 style, rated to 350° C

Tool free precision lamp alignment

Electrical

Power Supply: Lamp line voltage-lamp dependent

Cable: 36" Teflon coated leads encased in heat resistant black fiberglass sleeve

Accessories

Optional malleable iron pipe clamp

Optionally available with installed Stage pin, Twist lock & Edison connectors

Lamp Data

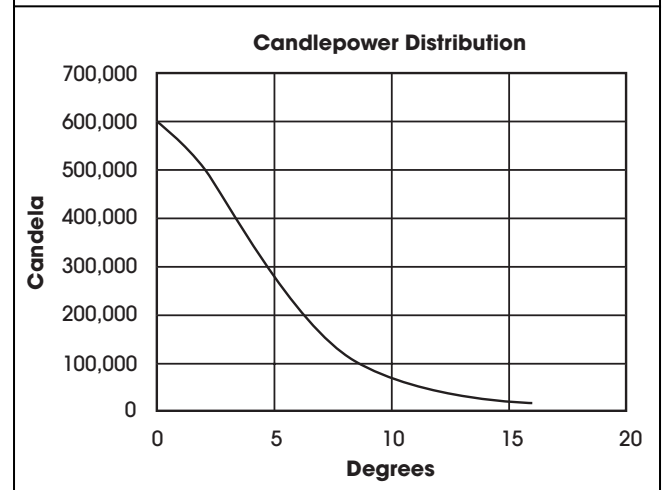
ANSI Code	Watts	Rated VAC	Color Temp	Rated Hours	Rated Lumens
GLC	575	115	3200	400	15500
GLA	575	115	3100	1500	13500
GKV	600	230	3200	400	15000
GLB	600	230	3100	1500	13000
6981P	750	115	3200	300	19000
GLE	750	115	3050	1500	17400
6982P	800	230	3200	250	20000
HX800	800	230	3200	250	20000

Photometrics-Tungsten 575W GLC Lamp @ 115V

Degree	Candlepower	Field Lumens	Efficacy	Efficiency
10°	600,000 (Cd)	5257	9.14 LPW	33.9%

Distance (ft)	30	50	100	150
Field Diameter (ft)	7.0	11.7	23.3	35
Illumination (fc)	665	239	60	27

The diagram shows a side view of the beam luminaire. It features a 5° beam angle and a 10° field angle. The beam diameter and illumination values from the table above are indicated at various distances (30, 50, 100, 150 ft).



Ordering Information

BP-2 Beam Luminaire	
Model	Description
9500	BP-2 Beam Luminaire (metal reflector)
9510	BP-2 Beam Luminaire (glass reflector)
BP-2 Beam Luminaire Accessories	
256-08-21	Malleable Iron C-clamp
287391	Lamp, GLC 115V
294322	Lamp, GLA 115V
363721	Lamp, GKV 230V
363739	Lamp, GLB 230V
134205	Lamp, 6981P 115V
92773	Lamp, GLE 115V
134203	Lamp, 6982P 230V
39754	Lamp, HX800 230V
BP-2 AC Power Connectors	
S	Stage Pin Connector
T	Twist Lock Connector
E	Edison Connector

Specifications as of 3/3/05 and may be subject to change