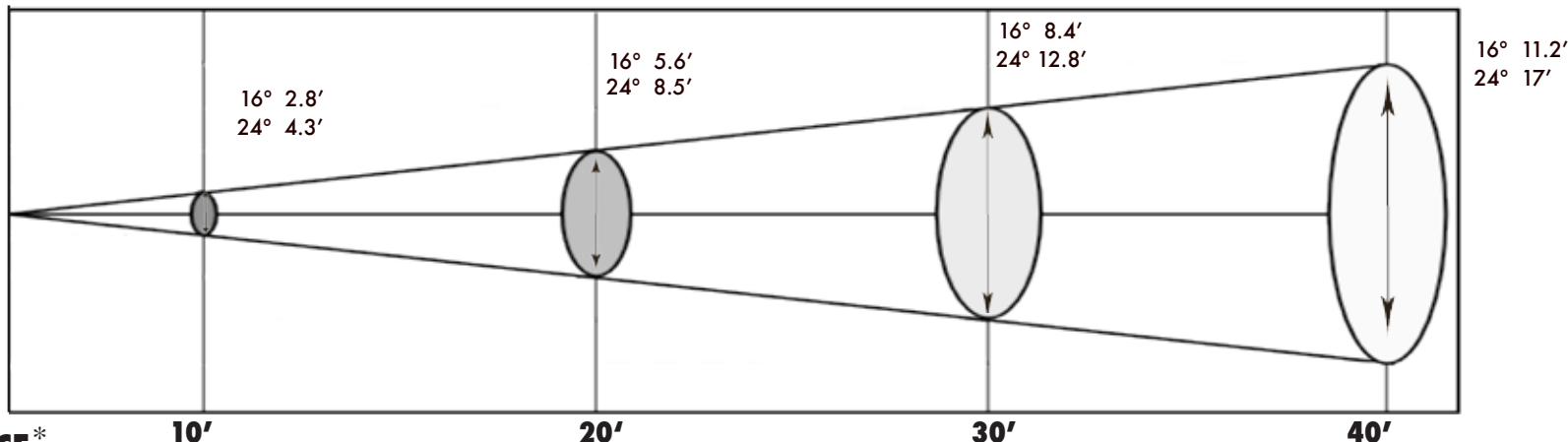




## SUMMARY

<b>Power Consumption</b>	200 Watt
<b>Beam / Field Angle</b>	VN 16° / 27° MF 24° / 42°
<b>Peak Lumens</b>	6512
<b>Peak CRI</b>	92
<b>Hours of LED Lifespan</b>	60,000



### ILLUMINANCE\*

Beam Angle	10'		20'		30'		40'	
	16° fc	24° fc	16° fc	24° fc	16° fc	24° fc	16° fc	24° fc
2800K	537	212	134	56	60	26	33	15
3200K	613	265	152	70	68	33	38	19
3500K	638	308	159	80	70	38	40	22
4000K	667	325	166	87	73	41	42	24
5000K	729	355	182	93	81	44	45	26
6000K	629	307	158	80	70	38	39	22

### LSD DIFFUSER COMPARISON

	No diffuser	Narrow	Medium	Wide
16° Beam / Field Angle	16° / 27°	17° / 32°	24° / 43°	34° / 58°
24° Beam / Field Angle	24° / 42°	23° / 47°	28° / 55°	37° / 65°



For lux multiply footcandles by 10.76 / For meters multiply feet by .3048

\* Illuminance data measured with a Konica Minolta CL-200A Chroma Meter