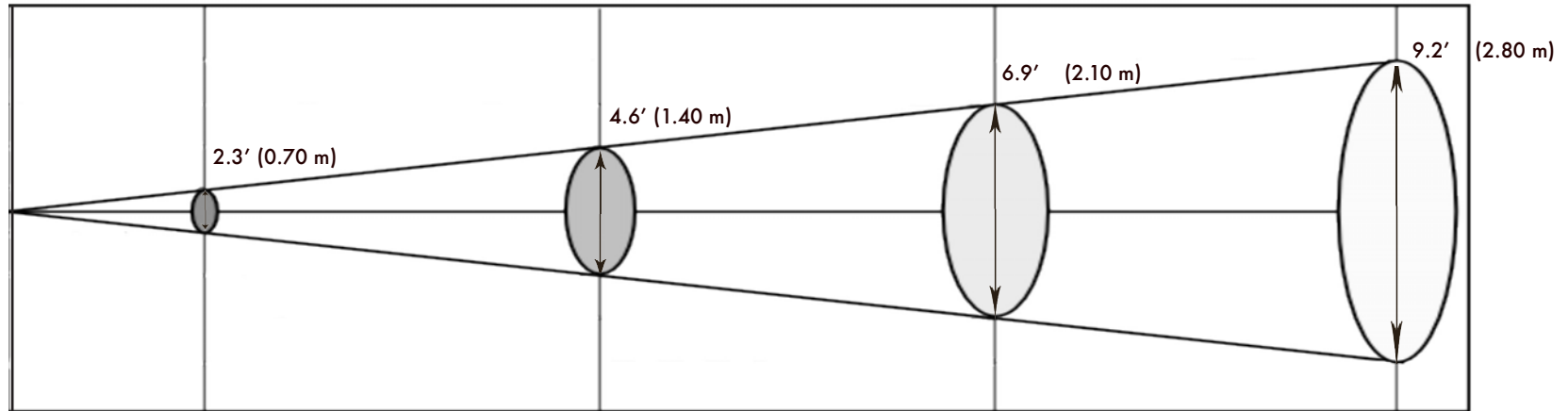




SUMMARY

Power Consumption	200W
Beam / Field Angle	13° / 25°
Peak Lumens	6512
Peak CRI	92
Hours of LED Lifespan	60,000



	10' (3.05 m)		20' (6.10 m)		30' (9.14 m)		40' (12.19 m)	
ILLUMINANCE*	lux	fc	lux	fc	lux	fc	lux	fc
2800K	5775	537	1439	134	643	60	360	33
3200K	6595	613	1635	152	729	68	412	38
3500K	6865	638	1707	159	758	70	428	40
4000K	7175	667	1787	166	789	73	447	42
5000K	7842	729	1963	182	870	81	491	45
6000K	6773	629	1695	158	751	70	424	39

LSD DIFFUSER COMPARISON

	No diffuser	Narrow	Medium	Wide
Beam / Field Angle	13° / 25°	16° / 32°	21° / 41°	35° / 54°

* Illuminance data measured with a Konica Minolta CL-200A Chroma Meter

