

General

- A component of the Wybron Infotrace Series of Products
- 2 - 32 individual gel frames on 4" (Source Four) & 7.5" models
- 2 - 24 individual gel frames on 10" model
- Color LCD display and 4 membrane buttons for user settings
- Front mounting plate for additional accessories
- Wide selection of fixture mounting plates
- Integrated stainless steel safety cable
- .063" aluminum sheet metal construction
- 3 second end to end string movement (32 frames)
- 9 operating personalities for different performance characteristics
- Fan speed may be remote controlled or set to one of three options
- "Time to Destination" option for gel movement
- Accepts power and data on one cable
- 4 pin XLR connector for power and data
- 4 pin XLR connector output for daisy chaining units
- Reverse polarity protection, unit will not be damaged by RAM II style PSUs
- The quietest, most reliable color changer ever manufactured by Wybron
- Made in USA

Power/Data

Receives 24v DC and DXM/RDM from Wybron PS Series Power supply

XLR Connector Pin Out

XLR Pin #	Function	Conductor Size
1	Ground	14 AWG
2	Data +	22 AWG
3	Data -	22 AWG
4	24 Volts DC	14 AWG

**Not Compatible with Ram II Power Supplies*

Control

- Uses DMX512-A Protocol
- Infotrace features available using ANSI E1.20 - 2006 Remote Device Management over USITT DMX512 standard
- Color position /main address user selectable 1-512
- Remote fan and/or Time to Destination addresses user selectable 1-512
- Sub parameter addresses do not need to be contiguous to main color position address

Parameters and features selectable with Infotrace/RDM:

- Base Address
- Sub Parameter Address (Fan Remote / Time to Destination)
- Self Test Mode

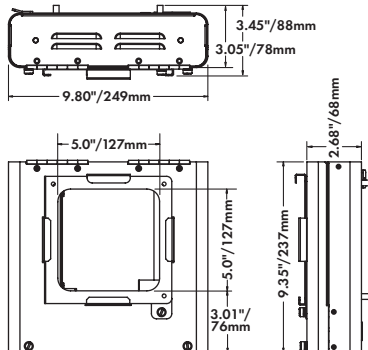
Infotrace/RDM feedback information

- | | |
|---|--------------------|
| Aperture Light Sensor | Voltage Sensor |
| Unit Temperature Sensor | Fan RPM |
| Pass Through Current | Roller Stuck |
| Hours Since Last Maintenance | Init Fail |
| Gel Colors (on IT equipped gel strings) | Fan Stopped |
| Gel Temperature Sensor | High Motor Current |
| Gel string Broken Alert | Low Voltage Alert |
| Gel string Replacement Period Reached | Gel Wear Counter |



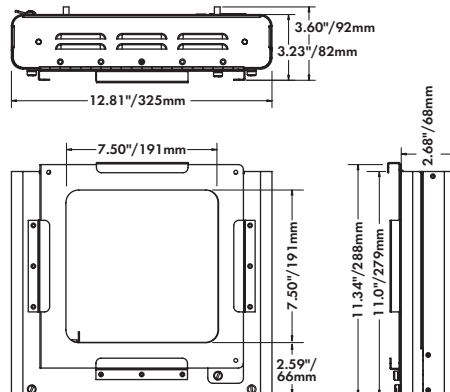
Dimensions & Weights†

4-inch Model 84520



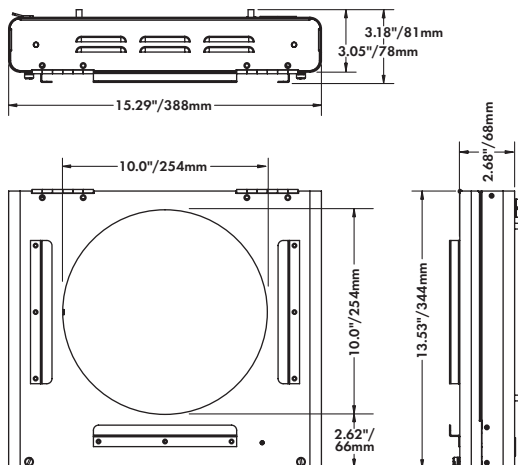
Weight: 4.5 lbs./2.04kg without mounting plate
 Front Door: 6.25" accessory holder

7.5-inch Model 87110



Weight: 5.5 lbs./2.45kg without mounting plate
 Front Door: 10.0" accessory holder

10-inch Model 810100



Weight: 7.0 lbs./3.26kg without mounting plate
 Front Door: 12.0" accessory holder

Ordering Information

COLORAM IT Color Changer	
Model	Description
84520	4-inch color changer
87110	7.5-inch color changer
810100	10-inch color changer
PS-SERIES Power Supply	
820150	150W power supply
820300	300W power supply
820600	600W power supply
COLORAM IT Accessories	
7042-XX	Power/Data Cable (XX=Length)*
COLORAM IT Gelstrings**	
84509-XX	4-inch gelstring (XX=number of frames up to 32)
87049-XX	7.5-inch gelstring (XX=number of frames up to 32)
810059-XX	10.0-inch gelstring (XX=number of frames up to 24)
COLORAM IT Mounting Plate INCLUDED. To specify size, see website.	

* Available in 3', 5', 10', 15', 25', 50', 75', & 100' lengths
 ** See COLOREXPRESS Gelstrings for available colors



Advancing The Art Of Lighting