

General

- A component of the Wybron Infotrace Series of Products
- Color LCD display and 4 membrane buttons for user settings
- Wide selection of fixture mounting plates
- Integrated stainless steel safety cable
- .063" aluminum sheet metal construction
- Multiple operating personalities for different performance characteristics
- Extremely accurate aperture-like dowsing mechanism for smooth uniform light reduction with no light loss
- Teflon coated aperture blades are .028 thick 304 stainless steel
- Aperture Speed-Fast cut: 1K-.98 seconds
2K- 1.03 seconds
- Low fan speed for quiet operation
- Accessory "ears" for color changers, diffusion panels, etc. are standard.
- Accepts power and data on one cable
- 4 pin XLR connector for power and data
- 4 pin XLR connector output for daisy chaining units
- Reverse polarity protection, unit will not be damaged by RAM II style PSUs
- Made in the USA

Power/Data

Receives 24v DC and DXM/RDM from Wybron PS Series Power supply

XLR Connector Pin Out

XLR Pin #	Function	Conductor Size
1	Ground	14 AWG
2	Data +	22 AWG
3	Data -	22 AWG
4	24 Volts DC	14 AWG

**Not Compatible with Ram II Power Supplies*

Control

- Uses DMX512-A Protocol
- Infotrace features available using ANSI E1.20 – 2006 Remote Device Management over USITT DMX512 standard
- Local control mode via keypad or remote pendant
- Fin position /main address, user selectable 1-512

Parameters and features selectable with Infotrace/RDM:

- Base Address
- Operating Personality
- Firmware Upgrade

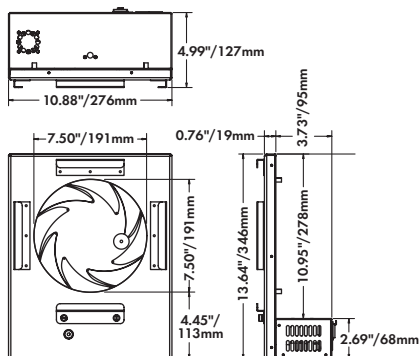
Infotrace/RDM feedback information

- Aperture Light Sensor
- Unit Temperature Sensor
- Pass Through Current
- Hours Since Last Maintenance
- Fan Stopped
- Fan RPM
- High Motor Current
- Voltage Sensor
- Init Fail
- Low Voltage Alert



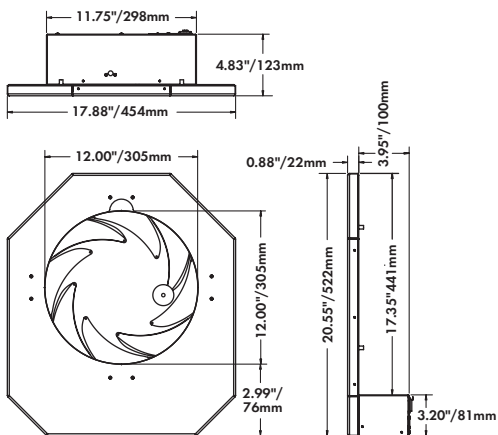
Dimensions & Weights

1K ECLIPSE IT IRIS Model 87250



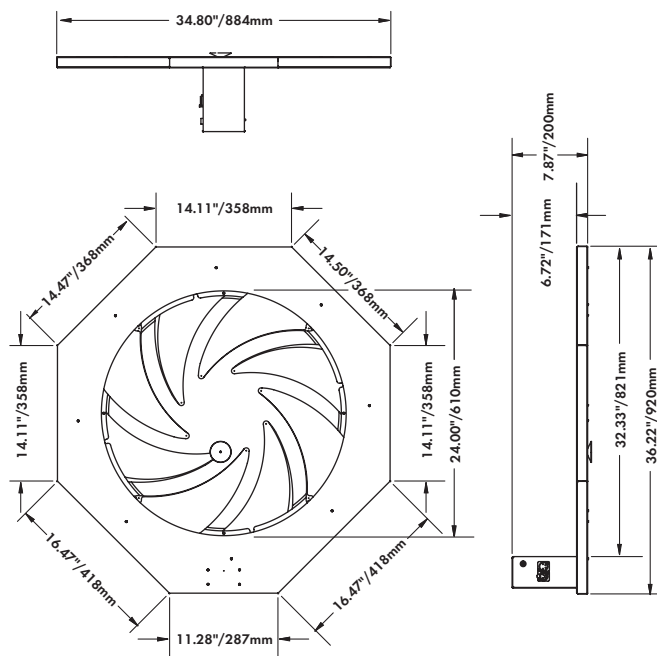
Weight: 4.60 lbs./2.09kg without mounting plate
Front Door: 6.25" accessory holder

2K ECLIPSE IT IRIS Model 812020



Weight: 8.40 lbs./3.81kg without mounting plate
Front Door: 14.0" accessory holder

24-inch ECLIPSE IT IRIS Model 823020



Weight: 31.96 lbs./14.5kg without mounting plate

Ordering Information

ECLIPSE IT IRIS Dowser	
Model	Description
87250	1K Dowser
812020	2K Dowser
823020	Large Format Dowser
PS-SERIES Power Supply	
820150	150W power Supply
820300	300W power Supply
820600	600W power Supply
ECLIPSE IT IRIS Accessories	
7042-XX	Power/Data Cable (XX=Length)*
ECLIPSE IT IRIS Mounting Plate INCLUDED. To specify size, see website.	

* Available in 3', 5', 10', 15', 25', 50', 75', & 100' lengths



Advancing The Art Of Lighting