

General

A component of the Wybron Infotrace Series of Products

Control and power for the following Wybron products:

- NEXERA LX Luminaires
- CXI IT Color Changers
- COLORAM IT Color Changers
- ECLIPSE IT SHUTTER/ ECLIPSE IT IRIS Dowsers
- FORERUNNER Color Changers

Front indicating signal and power

.063" aluminum sheet metal construction

Power and data connections made on DIN rail

UL Approved

Made in USA

Power/Data

Accepts all standard voltages worldwide (100-132 VAC 50/60 Hz and 170-240 VAC 50/60 Hz)

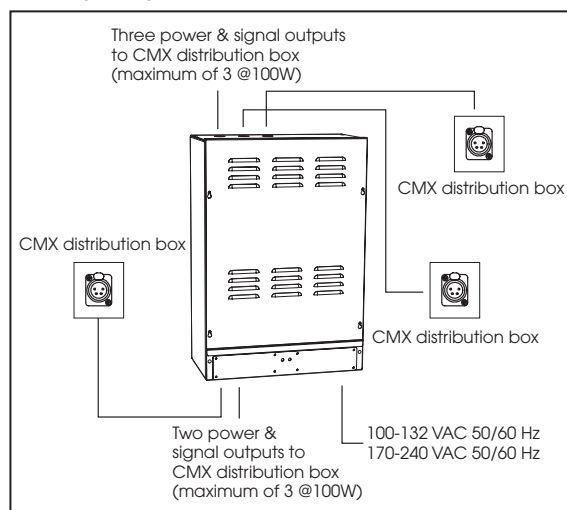
Sends/passes 24v DC and DXM/RDM

XLR Connector Pin Out

XLR Pin #	Function	Conductor Size
1	Ground	14 AWG
2	Data +	22 AWG
3	Data -	22 AWG
4	24 Volts DC	14 AWG

**Not Compatible with Ram II Power Supplies*

Wiring Diagram



Control

Uses DMX512-A Protocol

Infotrace features available using ANSI E1.20 – 2006 Remote Device Management over USITT DMX512 standard

Parameters and features selectable with Infotrace/RDM:

- Device Label
- Firmware Upgrade

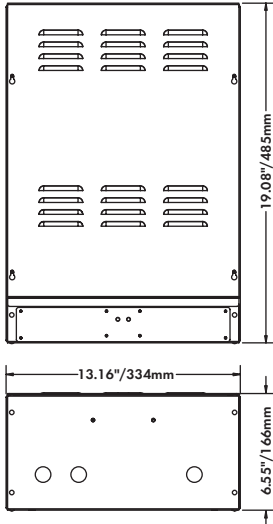
Infotrace/RDM feedback information

- Type of Device
- Voltage Output Sensor
- Device Drop Warning



Dimensions & Weights

PS-450i Model 20250



Weight: 16.40 lbs./7.44kg

Equipment Compatibility**

The following is a chart of compatibility and capacity of the PS-450i Power Supply and the companion devices.

Power Supply		PS-450i		
Model		20250		
Output Power/CMX Distribution Box (3Max)		100W		
Maximum devices per Power Supply				
Description	Model	Head Ft.	per CMX	Total/PSU
CXI IT 7.5"	87200	1500	4	12
CXI IT 4"	84560	1500	4	12
CXI IT Lg Format	816050	750	1	3
CXI IT 12"	812210	500	1	3
CXI IT 8-light	816130	750	2	6
CXI IT Mariner	87220	1500	4	12
CXI IT MultiPar	87240	1000	2	6
NEXERA LX (tungsten)	2560LX, 2570LX, 2640LX	1500	5	15
NEXERA LX (CDM)	2580LX, 2600LX, 2650LX	1500	4	12
COLORAM IT 7.5"	87110	1500	4	12
COLORAM IT 4"	84520	1500	4	12
COLORAM IT 10"	810100	1000	2	6
COLORAM IT Lg Frmt	816090	1000	4	12
COLORAM IT 15"	815010	1000	4	12
COLORAM IT 8-light	816080	1000	3	9
AQUARAM IT 7.5"	87080	1000	3	9
AQUARAM IT Lg Frmt	85000	1000	4	12
ECLIPSE IT SHUTTER 1K	89001	1500	5	15
ECLIPSE IT SHUTTER 2K	811010	1500	5	15
ECLIPSE IT SHUTTER Lg Frmt	817000	1500	5	15
ECLIPSE IT IRIS 1K	87250	1500	4	12
ECLIPSE IT IRIS 2K	812020	1500	4	12
ECLIPSE IT IRIS 24"	823020	750	2	6
FORERUNNER 4"	4540	n/a	10	30
FORERUNNER 7"	7140	n/a	10	30

¹ Some watts/unit numbers are rounded up/down ** The above information assumes devices are on different channels and all move simultaneously

Ordering Information

PS-450i Power Supply	
Model	Description
20250	450W Power Supply
PS-450i Accessories	
7042-XX	Power/Data Cable (XX=Length)*

* Available in 3', 5', 10', 15', 25', 50', 75', & 100' lengths



Advancing The Art Of Lighting