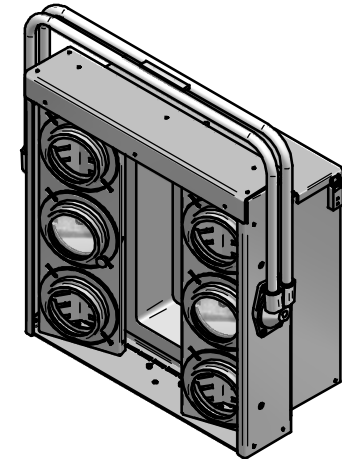
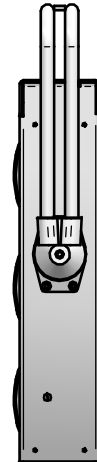
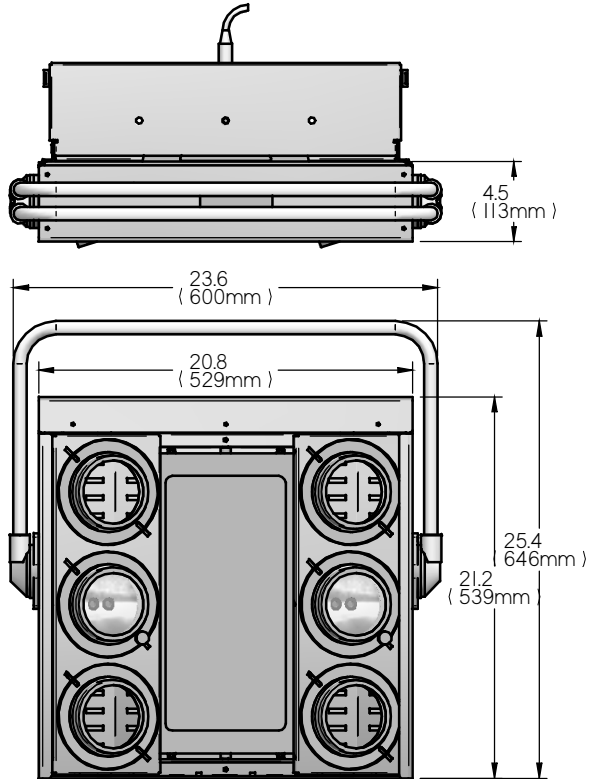



REVISION HISTORY			
REV	DESCRIPTION	DATE	APPROVED



**PROPRIETARY NOTE**  
 THIS DOCUMENT CONTAINS INFORMATION CONFIDENTIAL AND PROPRIETARY TO WYBRON, INC. AND SHALL NOT BE REPRODUCED OR DISCLOSED TO OTHERS OR USED FOR ANY PURPOSE OTHER THAN THAT FOR WHICH IT WAS OBTAINED WITHOUT THE EXPRESSED WRITTEN CONSENT OF WYBRON, INC.

DRAWN	Owner	08/04/05	 <b>WYBRON, INC.</b>	
MATERIAL:			TITLE	
FINISH:			LIGHTPOD	
HARDWARE	QTY		SIZE	DWG NO
			B	REV
UNLESS OTHERWISE SPECIFIED DIMENSIONS ARE IN INCHES. ANGLES ±1.0° 2 PL. +0.01 3 PL. +0.005			SHEET 1 OF 1	